

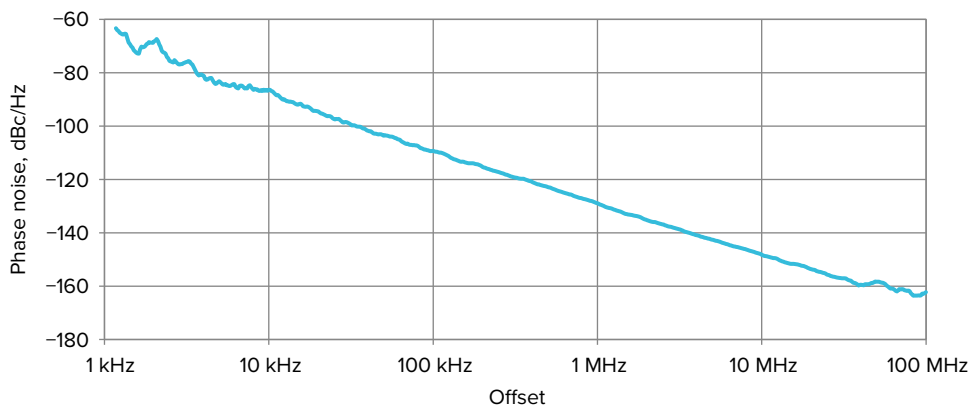
## Voltage-controlled oscillator MVCO-2040-SF

- Compact size
- High tuning linearity

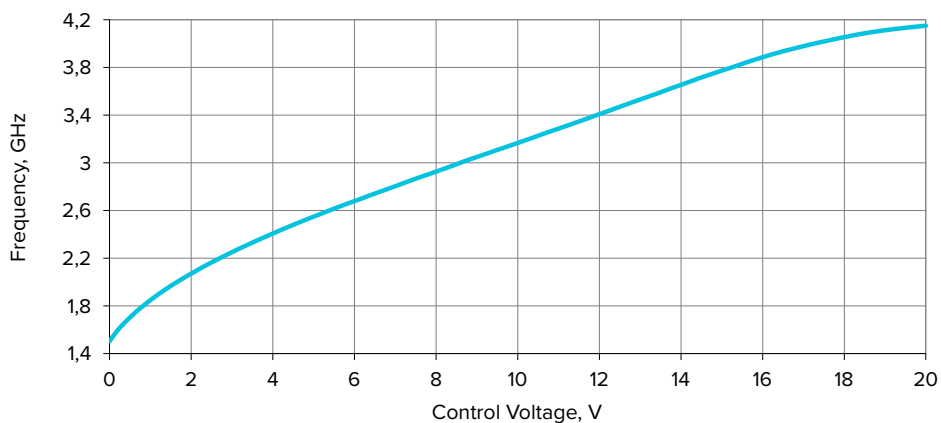


MVCO-2040-F is an octave VCO that can be used in wideband PLL synthesizers for telecommunications and T&M equipment. High-quality components and careful design guarantees repeatability of parameters, high reliability and low cost at mass production stage.

### Phase noise



### Frequency tuning characteristic

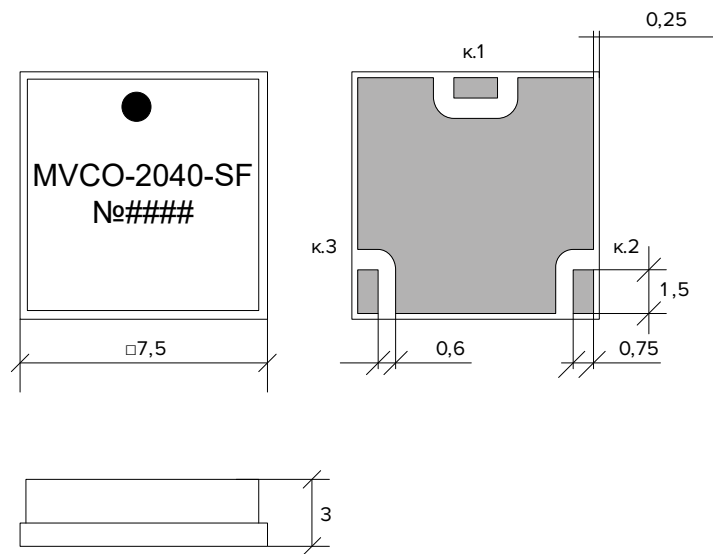


### Technical Specifications

Output frequency, GHz	2...4
Phase noise @100 kHz offset, at 2...4 GHz, dBc/Hz	-112...-106
Second harmonic level, dB	-15
Control voltage, V	0...20
Tuning sensitivity, MHz/V	50...450
Output power, dBm, max.	0...5
Load impedance, Ohm	50
Input capacitance, pF	50
Pushing, MHz/V	± 1.5
Pulling*, MHz	± 15
Operating temperature, °C	-40...+85
Frequency change in operating temperature range, MHz	± 20
Output power change in operating temperature range, dB	1.5
Supply voltage, V	5
Current consumption, mA	20...40

\* Load VSWR 2.0.

### Overall and Mounting dimensions, mm



Pin number	Description
3	RF output
1	Supply voltage input
2	Control input